

RT
Rollers
RD



**WACKER
NEUSON**



First-class in compaction.

Vibratory rollers from Wacker Neuson.

When work is compacted
for customer success.
Vibratory rollers by
Wacker Neuson.



CONVINCING PERFORMANCE.

"The Wacker Neuson vibratory rollers are unbeatable, especially in trench construction. For one thing, they have a proven high compaction performance and for another, they offer the highest possible safety standard with the infra-red remote control and a low center of gravity. Another advantage is that you do not have to rework for manhole covers."

Helmut Rhomberg
Workshop manager, Austria



RT

Vibratory trench rollers – articulated and remote controlled. RT-SC2.

Efficient operation: The lower mass is completely maintenance free, because the drive system and exciter are provided with a permanent lubrication.

Easy to manoeuvre: the articulated joint offers outstanding manoeuvrability around curved building segments, such as manhole covers, without tearing up the ground that has just been compacted

Strong performance and stability: Thanks to the positioning of the exciter below the axis, an extremely high compaction performance is achieved and the machine stability is significantly increased. There is therefore no danger of tipping.



RT82

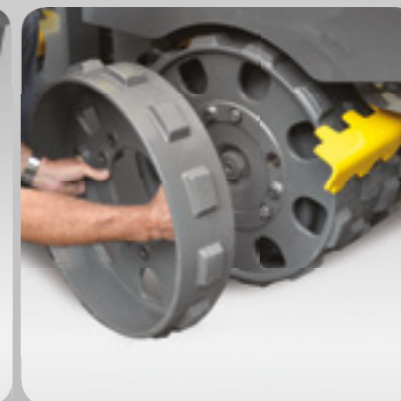


TWO MODELS:

RT 82-SC2. The vibratory trench roller with a fixed drum width (82 cm).

RT x-SC2. The vibratory trench roller with a variable drum width (56–82 cm).

The RT x-SC2 is unbeatable in its flexibility: with little assembly effort, the drum width can be changed to 56 cm or 82 cm, depending on which operating width you need for your trench. The mounting points are located near the hub, where they are protected from deformation and stone chippings.



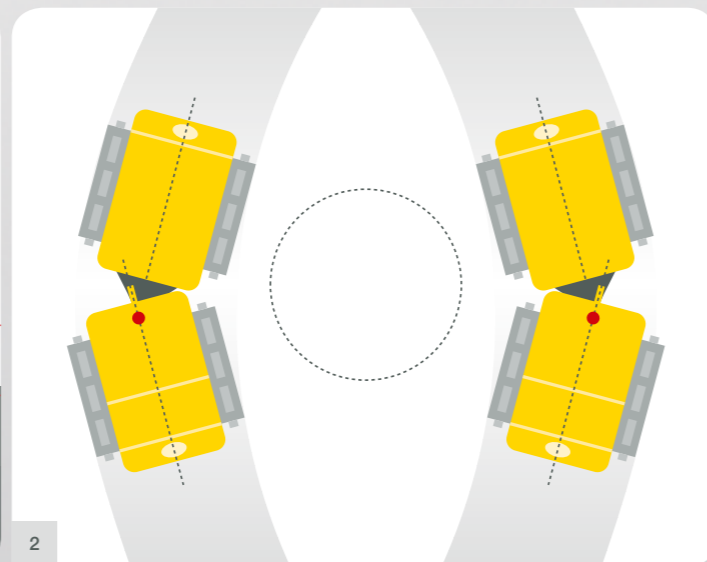
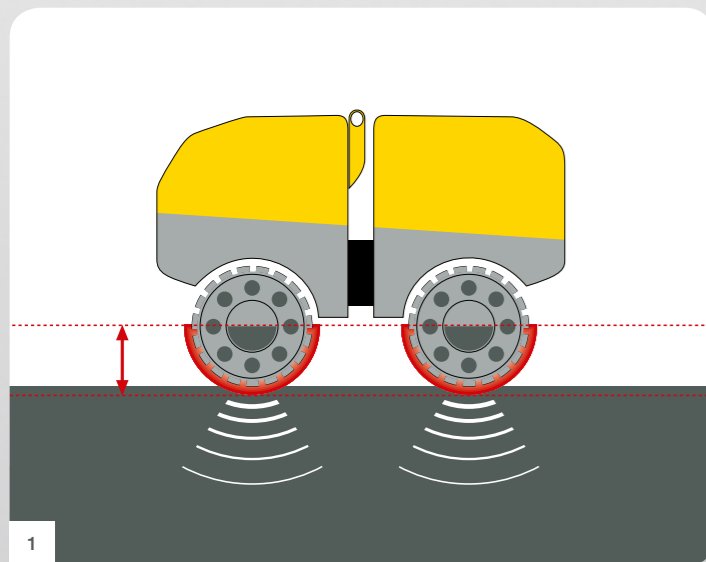
RT

Quality in the details. The RT vibratory trench rollers by Wacker Neuson.



Service friendly: Easily accessible machine components. The RT cover is easy to open and provides for optimal accessibility to the components. It is made of a highly resilient material that is extremely durable, rust-proof and shock-proof.

Strong powerhouse: the water-cooled diesel engine provides high power reserves and is easily accessible.



All engine functions at a glance. The diagnostic LED displays of the engine control unit simplify operation and troubleshooting by monitoring the various engine functions: oil pressure, fluid level in the radiator, engine temperature, glow plug, battery and air filter capacity.

1 First-class compaction performance.

The positioning of the exciter below the central axis of the drums provides for a low center of gravity and makes the roller extremely stable. Thanks to its low position, centrifugal forces are transferred directly into the ground, allowing for a very high compaction performance.

2 Eliminates tedious rework.

The articulated joint allows for uninterrupted compaction around curved components without having to recompact with a rammer on the edge. This not only saves time and money, but also brings excellent manoeuvrability with it. The rigid articulated joint also provides for a high degree of stability and excellent handling characteristics.



RT

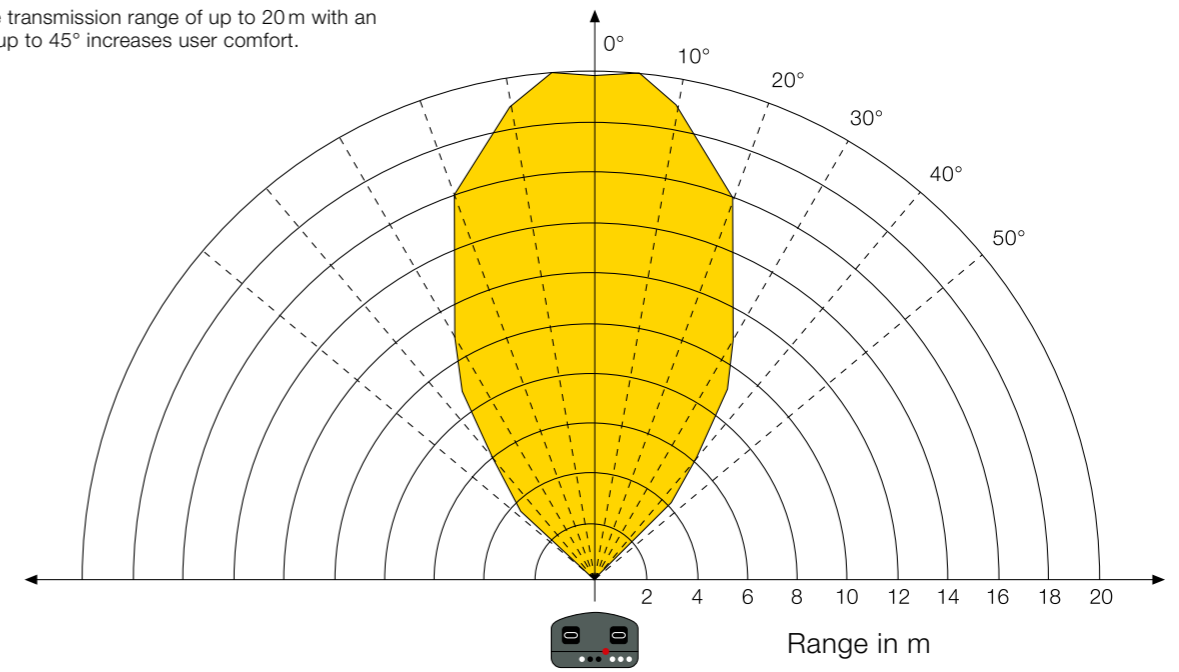
Unique safety thanks to the infra-red remote control. By Wacker Neuson.

Equipment with remote control offers the operator a high level of workplace convenience. By maintaining a safe distance from the compaction machine, the operator is not exposed to any hand-arm vibrations or dust, exhaust fume and noise emissions.



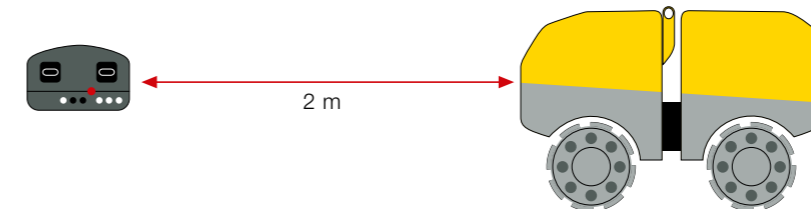
Large range.

The large transmission range of up to 20 m with an angle of up to 45° increases user comfort.



Intelligent proximity recognition sensor.

If the operator comes within the safety distance of two meters, the machine stops automatically.



Full control at all times.

If visual contact between the operator and machine is broken, the machine stops automatically.



RD

Superior compaction performance with a good view. The articulated vibratory roller RD 16 and RD 27.

RD 16 and RD 27:

With its 90 cm-wide drums, the RD 16 is a specialist for footpath applications.

The pressure-driven sprinkler system provides for a reliable water flow. A time interval switch with different settings makes it possible to adapt the flow of water to the type of asphalt used.

The double drum drive of the RD rollers offers optimal traction characteristics. The RD rollers can optionally be operated with one or two vibrating drums.

Chamfered drums prevent tracks in the asphalt.

EXTREMELY MANOEUVRABLE.



RD 16



RD 27



RD 27:

Integrated traction control: despite smooth drums, the flow divider option allows for the best traction, even for steep gradients.

The RD 27 offers the possibility to switch between low and high compaction force and therefore to flexibly adapt to the roller's respective application. The low centrifugal force is optimal for asphalt compaction while the high centrifugal force is ideal for the compaction of granular material.



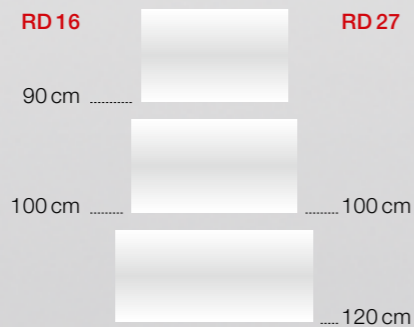
RD 16

Drum width
90 – 100 cm

Compaction force
15 kN per drum

Weight
1,356 – 1,391 kg

Available in the following drum widths:

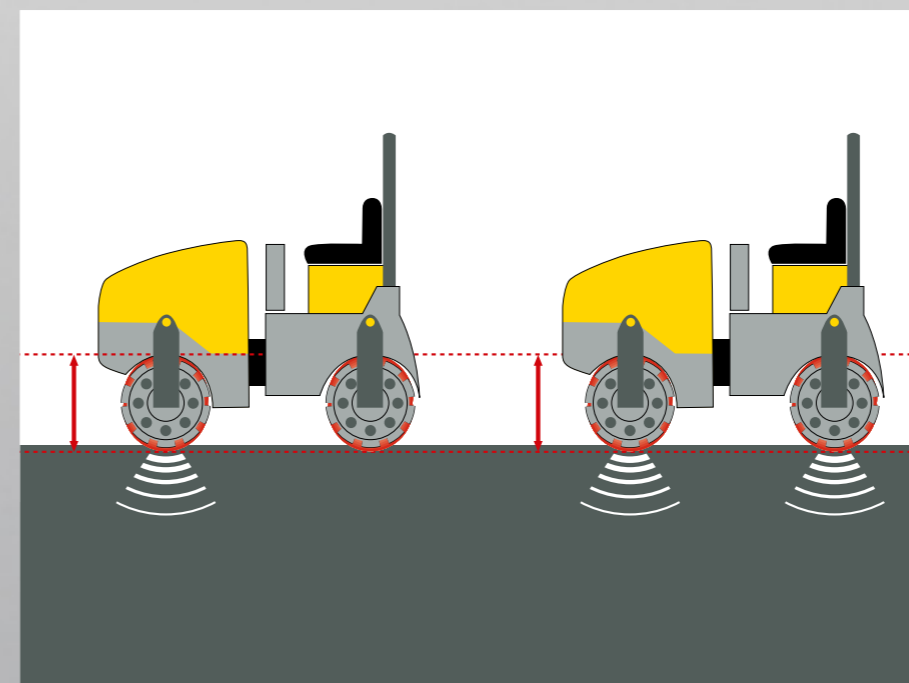


RD 27

Drum width
100 – 120 cm

Compaction force
24 – 41 kN per drum

Weight
2,392 – 2,592 kg



Optimized for use.

The vibration can be turned on in the front drum only or on both drums.

RD

True compaction specialists for medium asphalt surfaces. The vibratory rollers RD 16 and RD 27.

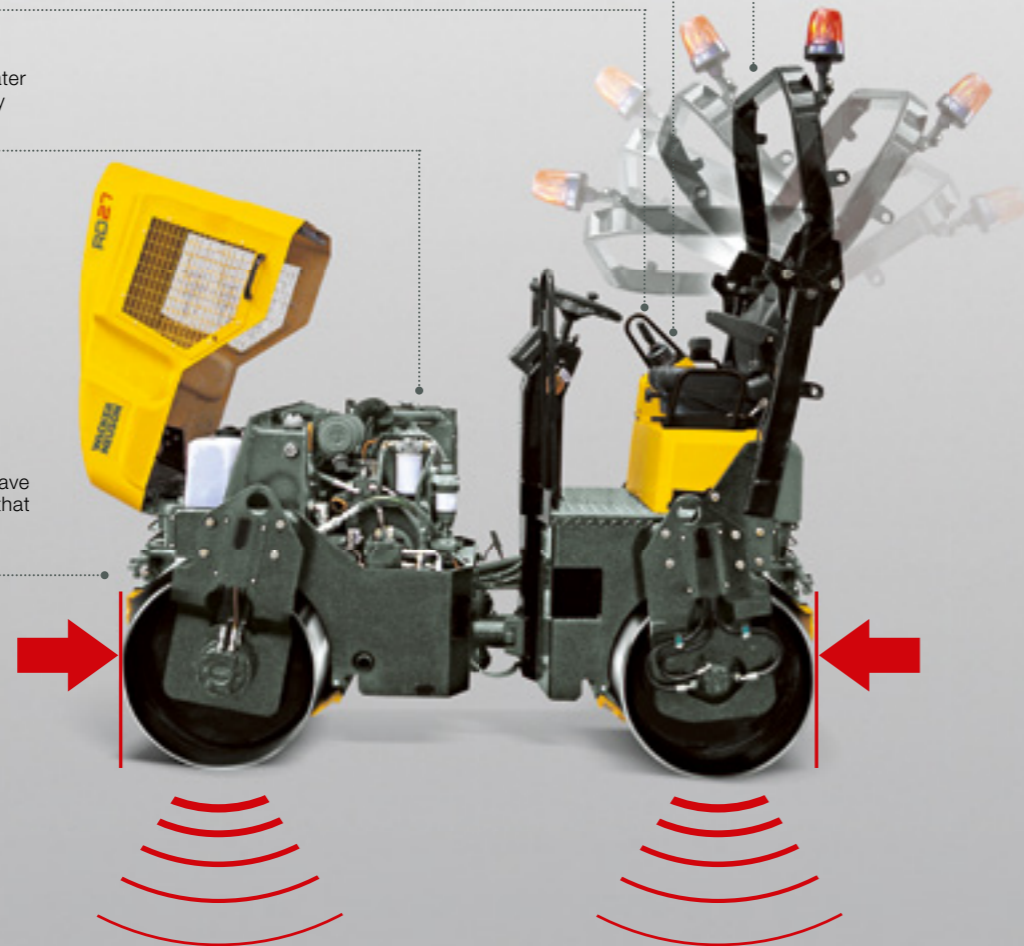
The standard fitted fold-down roll bar (ROPS*) can be folded down with the RD27 both forwards as well as backwards. This allows for flexible work applications, such as under eaves, and simplifies transport. On the RD 16, the roll bar can only be folded down forwards.

The operator's platform is vibration damped and, in cooperation with the ergonomic seat, reduces operator fatigue.

The single-lever servo control with an integrated vibratory switch simplifies operation.

All maintenance points of the engine, the hydraulics and the electrics as well as water filter and battery are mounted to be easily accessible.

Wacker Neuson vibratory rollers do not have a projecting end at the front or the back that protrudes over the drums. This optimizes work up to the edge regions.



1 Optimum all-round visibility:

The low mounted hood and high seating position ensure greater operational safety.

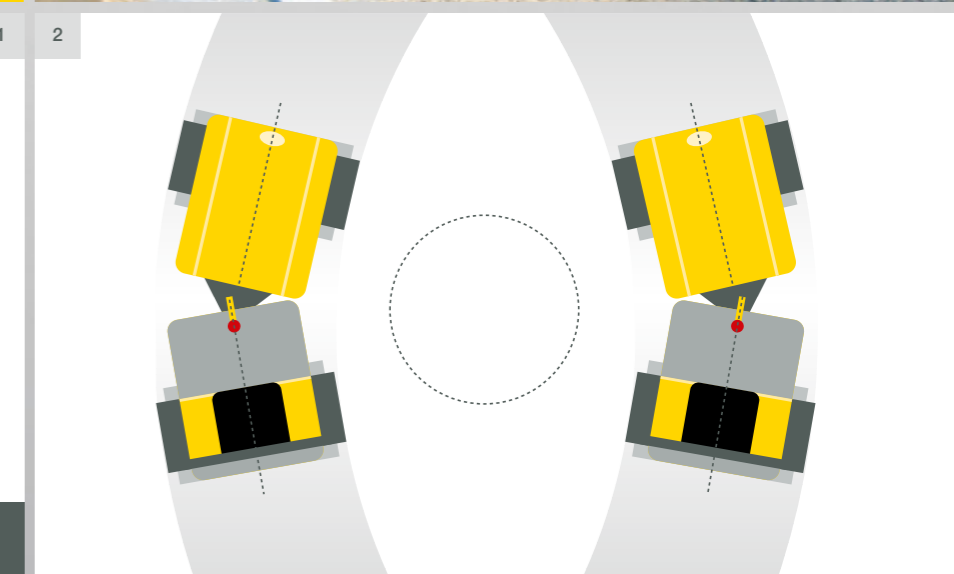
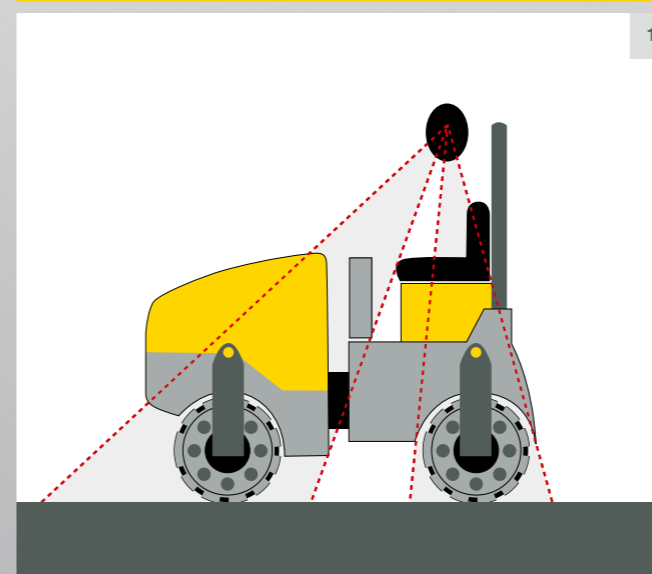
2 In its element in confined spaces:

A very tight driving radius and a high level of maneuverability are ensured by the articulated pendulum joint.



1

2



RD

Versatile and powerful. Walk-behind double vibratory roller RD 7.

AVAILABLE
WITH
CRANK HANDLE
OR ELECTRIC
STARTER.

The user feels only very little vibration, thanks to excellent damping effect in the center pole. It can be folded up for storage and transport.

A compact design allows for precise work up to the edge, even in confined areas.

Large-dimensioned shock-mounts ideally dampen the transmission of vibrations to the upper mass, thereby preventing premature wear.

Automatic low oil shutdown.

The fully hydrostatic drive reduces the number of components, reduces the maintenance required and improves reliability.

The smooth drums with the chamfered edges compact asphalt and granular material equally well.



RD7

Comfortable operation thanks to low hand-arm vibrations at the handle.



1

1 High level of operational safety thanks to the operator presence control:

As soon as the operator pushes against the center pole with his body, the vibratory roller automatically comes to a stop.

2 Compact transport and storage dimensions

with folded up center pole.

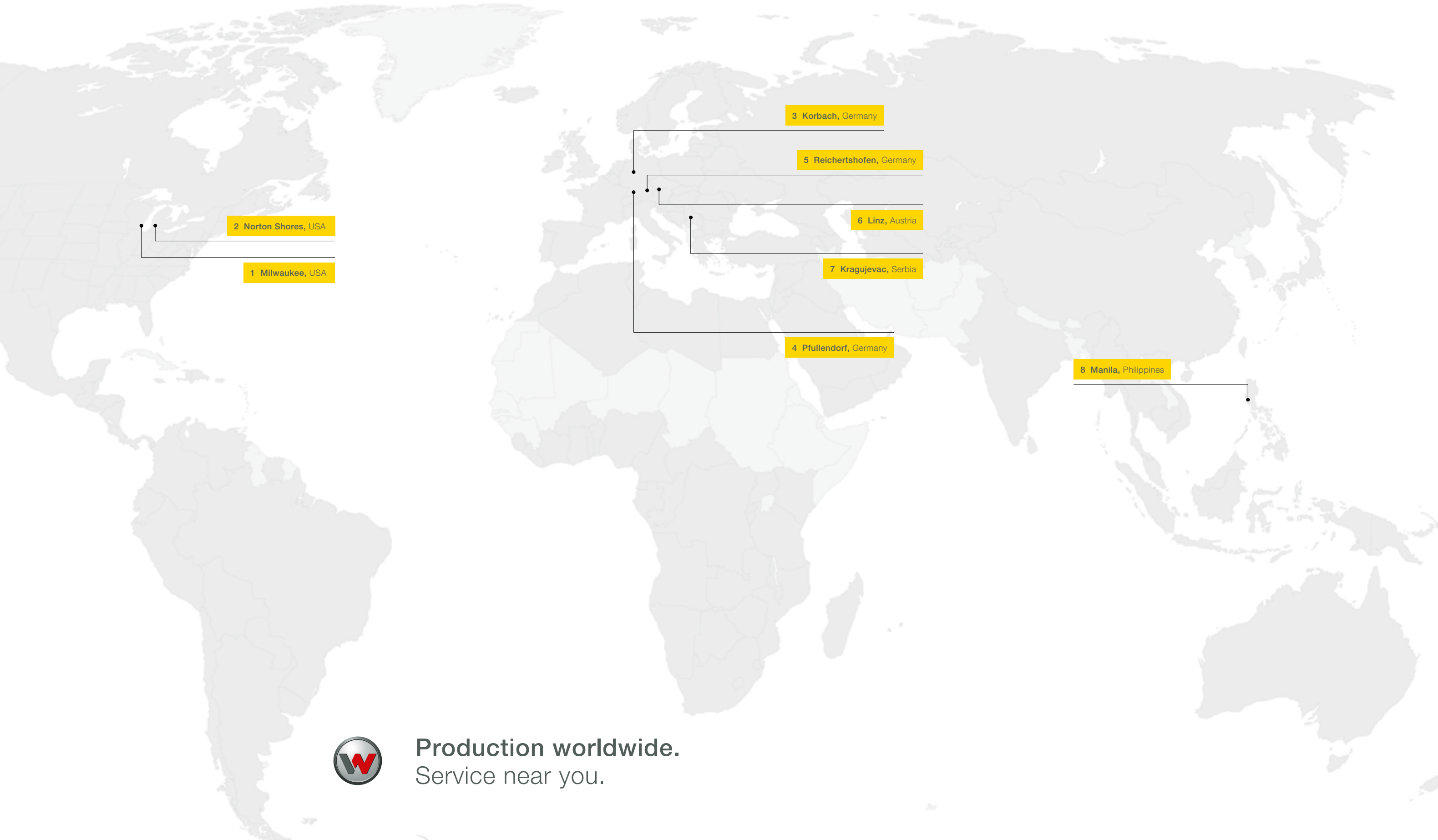
2



Technical data.

	RT x-SC2	RT 82-SC2	RD 7H-ES Electric starter	RD 7H-S Crank handle
TECHNICAL DATA				
Net/operating weight kg	1,560	1,497	773/830	753/810
Overall dimensions (LxWxH) (center pole in working position) mm	1,855x560x1,230	1,855x820x1,230	2,630x700x1,165	2,630x700x1,165
Curb clearance (right/left) mm	–	–	235	235
Side clearance (right/left) mm	–	–	30	30
Drum diameter mm	520	520	420	420
Drum width mm	560/820	820	650	650
Centrifugal force (min/max) kN	34.2/68.4	34.2/68.4	13/21	13/21
Frequency Hz	41,7	41,7	55	55
Static linear load per drum (v/h) N/mm	10	9.6	5.0/7.5	5.0/7.0
Dynamic linear load per drum (v/h) N/mm	45	45	10.0/10.0	10.0/10.0
Total linear load (v/h) N/mm	–	–	15.0/17.5	15.0/17.0
Travel speed (min/max) m/min	20/42	20/42	–	–
Turning radius (inside) mm	1,600	1,600	–	–
Max. advance/reverse travel (ground-dependent) m/min	42	42	66.7/33.3	66.7/33.3
Max. surface capacity (ground-dependent) m ² /h	990	990	2,613	2,613
Max. gradeability (without/with vibration) %	50/45	50/45	40	40
Drive	Liquid-cooled three-cylinder diesel engine with electric starter		Air-cooled four-cycle single-cylinder diesel engine	
Engine manufacturer	Kohler	Kohler	Hatz	Hatz
Displacement cm ³	1,028	1,028	413	413
Max. power output (DIN ISO 3046) kW at rpm 1/min	15.6	15.6	6.3	6.3
	–	–	3,600	3,600
Rated power output (DIN ISO 3046) kW at rpm 1/min	13.5	13.5	5.5	5.5
	2,600	2,600	2,600	2,600
Fuel consumption l/h	4.5	4,5	1.67	1.67
Tank capacity (fuel) l	24.0	24.0	5.0	5.0
Tank capacity (water) l	–	–	53.0	53.0

	RD 16-90	RD 16-100	RD 27-100	RD 27-120
TECHNICAL DATA				
Net/operating weight – with 80 kg operator and a half-full water and fuel tank) kg	1,356/1,485	1,391/1,520	2,375/2,617	2,582/2,824
Overall dimensions (LxWxH) – Height to top of the rotating beacon mm	1,950x1,002x2,547	1,950x1,102x2,547	2,500x1,100x2,770	2,500x1,300x2,770
Drum diameter/width mm	560/900	560/1,000	700/1,000	700/1,200
Curb clearance (right/left) mm	400	400	474	474
Side clearance (right/left) mm	45	45	50	50
Centrifugal force per drum at 2,450 1/min kN	–	–	24.3	28.8
at 3,000 1/min kN	–	–	35.0	41.4
at 3,600 1/min kN	15	15	–	–
Frequency at 2,450 1/min Hz	–	–	55	55
Frequency at 3,000 1/min Hz	–	–	66	66
Frequency at 3,600 1/min Hz	70	65	–	–
Static linear load (v/h) at 2,450 1/min N/mm	–	–	12.0	11.0
at 3,000 1/min N/mm	–	–	13.5	12.1
at 3,600 1/min N/mm	7.6/8.6	7.0/7.9	–	–
Dynamic linear load (v/h) at 2,450 1/min N/mm	–	–	23.6	24.0
at 3,000 1/min N/mm	–	–	34.0	34.6
at 3,600 1/min N/mm	16.8	15	–	–
Travel speed (advance travel/reverse travel) at 2,450 1/min m/min/km/h	–	–	0–135/0–8.1	0–135/0–8.1
at 3,000 1/min m/min/km/h	–	–	0–167/0–10	0–167/0–10
at 3,600 1/min m/min/km/h	0–156/0–9.3	0–156/0–9.3	–	–
Max. surface capacity m ² /h	8,370	9,300	8,100/10,000	9,700/12,000
Max. gradeability (without vibration) %	30	30	35	35
Turning radius (outside) m	2.9	3.0	3.6	3.7
Drive	Liquid-cooled Kohler three-cylinder diesel engine		Liquid-cooled Perkins three-cylinder diesel engine	
Displacement cm ³	1,028	1,028	1,500	1,500
Max. power output at 3,000 1/min kW	–	–	25.1	25.1
Max. power output at 3,600 1/min kW	19.5	19.5	–	–
Rated power output at 2,450 1/min kW	–	–	24.4	24.4
Rated power output at 2,850 1/min kW	16.8 (21.1)	16.8	–	–
Rated power output at 3,000 1/min kW	–	–	31.25	31.25
Tank capacity (water/fuel) l	100/23	100/23	150/50	150/50
Fuel consumption at 2,450 1/min l/h	–	–	6.9	6.9
Fuel consumption at 3,000 1/min l/h	–	–	7.6	7.6
Fuel consumption at 3,600 1/min l/h	4.9	4.9	–	–



2 Norton Shores, USA

1 Milwaukee, USA

3 Korbach, Germany

5 Reichertshofen, Germany

6 Linz, Austria

7 Kragujevac, Serbia

4 Pfullendorf, Germany

8 Manila, Philippines



Production worldwide.
Service near you.



WELL BUILT.

Our production plant in Menomonee Falls in Milwaukee, Wisconsin has been one of the leading production plants for construction equipment in North America for over 50 years. For all world-renowned Wacker Neuson rammers are manufactured here just like, for example, rollers and trowels.



1



2



3



4



5



6



7



8

PRODUCTION LOCATIONS OF THE WACKER NEUSON GROUP

- 1 Milwaukee, USA
- 2 Norton Shores, USA
- 3 Korbach, Germany
- 4 Pfullendorf, Germany
- 5 Reichertshofen, Germany
- 6 Linz, Austria
- 7 Kragujevac, Serbia
- 8 Manila, the Philippines



The vision and values wheel of Wacker Neuson: Customer success is at our center.

We win customers over with the values of a medium-sized and market-listed family-owned company. With the strength and expertise of a global organization. With people who fulfill our creed every day with life and ideas.

We believe in quality, innovation, performance and character. And the sustainable success of our customers, whom everything is ultimately about.

Always in your area: www.wackerneuson.com





**WACKER
NEUSON**



www.wackerneuson.com