

SILVA

ITALY

dumper 1000-1200 NT/SN



1000 NT/SN

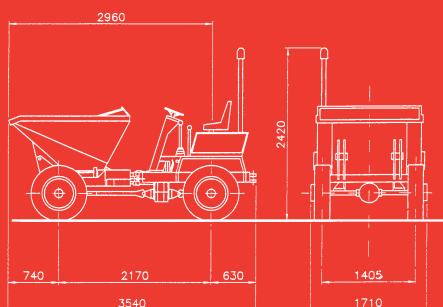


1200 NT/SN

SILLA

dumper 1000-1200 NT/SN

SCARICO IDRAULICO FRONTALE
DESCHARGEMENT HYDRAULIQUE FRONTAL
HYDRAULIC FRONTAL TIPPING
DESCARGA HIDRAULICA FRONTAL



CARATTERISTICHE TECNICHE DONNEES TECHNIQUES SPECIFICATIONS CARACTERISTICAS TECNICAS	1000 NT/SN	1200 NT/SN
CAPACITA' DELLA BENNA - CAPACITE' DE LA BENNE - SKIP CAPACITIES - CAPACIDAD DE LA TOLVA A RASO/A COLMO A RAS / COMBLEE STRUCK / HEAPED NIVEL DE AGUA / COLMADA	1.000/1.200 ltr.	1.200/1.500 ltr.
PORTATA PORTEE MAX PAYLOAD CARGA UTIL	2.500 Kg	3.000 Kg
PESO A VUOTO POIDS A VIDE UNLOADED WEIGHT PESO EN VACIO	1.390 Kg	1.500 Kg
MOTORE DIESEL LOMBARDINI / HATZ AVV. ELETTRICO MOTEUR DIESEL LOMBARDINI / HATZ DEMARRAGE ELECTRIQUE DIESEL ENGINE LOMBARDINI / HATZ ELECTRIC START MOTOR DIESEL LOMBARDINI / HATZ ARRANQUE ELECTRICO		9LD 625.2/ 2G40
POTENZA PUISSANCE POWER POTENCIA MOTOR	HP 28,5/HP 23	HP 28,5/HP 23
Nr. CILINDRI Nr. CYLINDRES Nr. CYLINDERS Nr. CILINDROS	2	2
TRASMISSIONE MECCANICA TRANSMISSION MECANIQUE MECHANICAL TRANSMISSION TRANSMISSION MECANICA MEDIANTE CARDAN	●	●
MARCE AVANTI / RETRO VITESSE AV/AR FORWARD / REVERSE GEARS VELOCIDADES ADELANTE / ATRAS	4/4	4/4
FRIZIONE MONODISCO A SECCO EMBAYAGE MONODISQUE A SEC SINGLE DRY PLATE CLUTCH EMBRAQUE MONODISCO EN SECO	●	●
VELOCITA' MAX VITESSE MAX MAX SPEED VELOCIDAD MAX	25 Km/h	25 Km/h
FRENI IDRAULICI SULLE 4 RUOTE FREINS HYDRAULIQUES SUR LES 4 ROUES BRAKES 4 WHEELS HYDRAULIC FOOTBRAKES FRENOS HIDRAULICOS SOBRE LAS 4 RUEDAS	●	●
RUOTE MOTRICI ROUES MOTRICES WHEELS DRIVE RUEDAS MOTRICES	4	4
PNEUMATICI PNEUS TYRES NEUMATICOS	7,50 - 16	10,0 / 75 - 15,3

SILLA Macchine Edili e Stradali S.r.l.
 53036 POGGIBONSI (SI) ITALY - Via San Gimignano, 96
 Tel. +39.0577.938.051 - Fax +39.0577.981.609
 e-mail: info@sillaitaly.com - www.sillaitaly.com